

G101

Fully Managed 29 Gbit/s Industrial Ethernet Switch, A-Coded 3U CompactPCI Serial

- » Fully managed rugged Ethernet switch
- » 24 Gigabit Ethernet ports
- » Or 24 Gigabit Ethernet ports plus 2.5 Gigabit SFP port
- » 29 Gbit/s carrier grade switch matrix
- » -40 °C to +85 °C
- » EN 50155 compliant (railways)
- » PICMG CPCI-S.0 CompactPCI Serial system slot and peripheral card



A Flexible Switch in a Common Modular Format

The G101 is a fully managed 3U flexible multiport Gigabit Switch, with a 29 GBit/s switch matrix, implemented as a CompactPCI Serial board. It occupies one system slot or one peripheral slot using a 4 HP front panel with two Gigabit Ethernet ports on RJ45 connectors and one 2.5 Gb SFP cage. Alternatively, the G101 can be supplied with three M12 A-coded connectors on the front panel. A good alternative for a version with M12 X-coded connectors is the **G102**. The intelligent backplane concept for MEN switches allows high flexibility in network applications and management.

High Speed, High Efficiency and Extensive Protocols

The G101 guarantees high speed, high efficiency and an extensive firmware supporting various protocols like security, time synchronicity, stability, as well as for temperature needs. The switch supports EEE (Energy Efficient Ethernet) and IEEE1588v2 as a standard on all ports.

Various Connection Possibilities due to Various Port Options

The G101 features three Ethernet ports on the front. Alternatively these are available on the rear, where a total of 24 ports is possible. These include 12 ports with integrated 10/100/1000 Mbit/s copper PHYs.

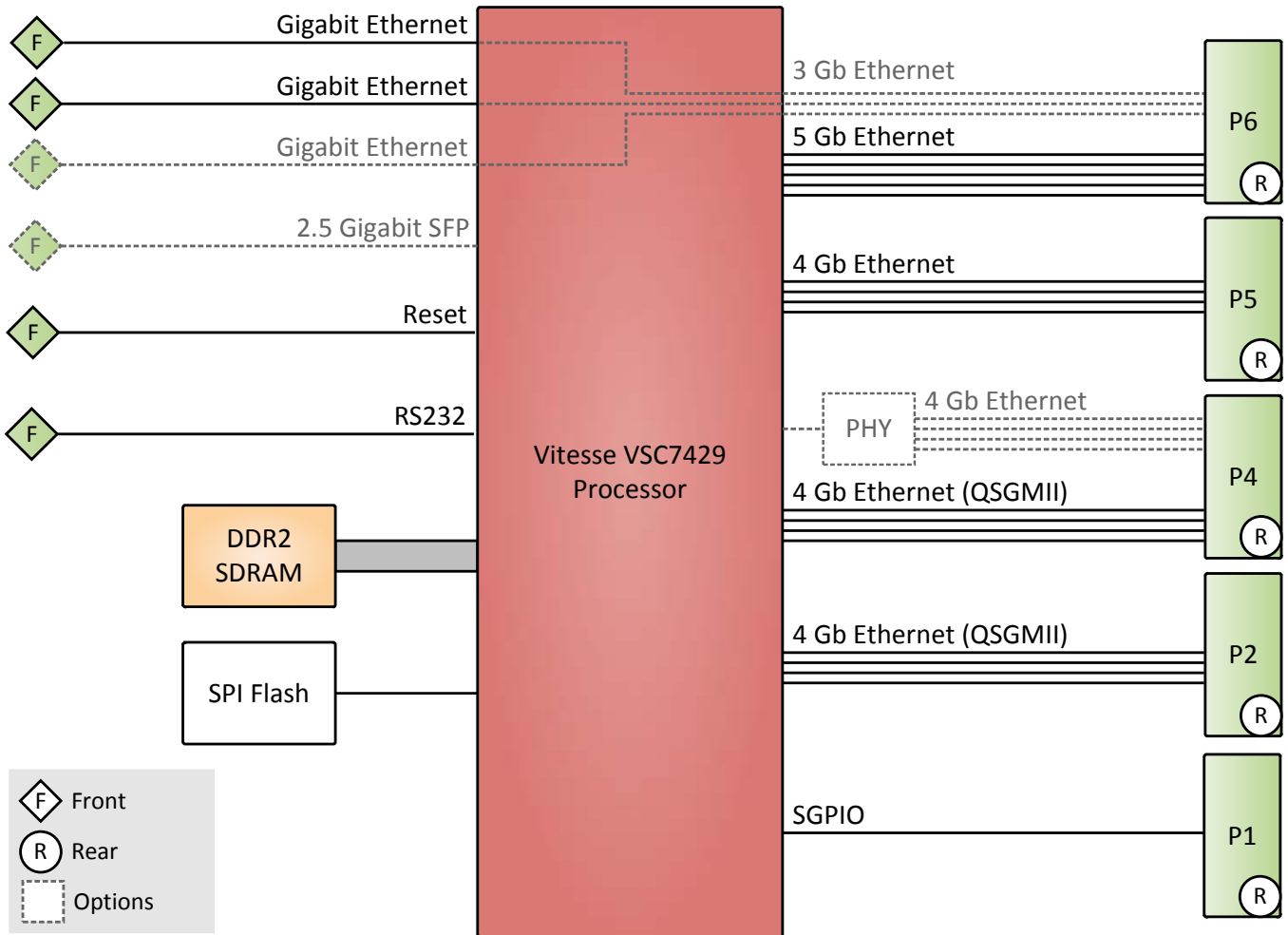
For the configuration of additional ports controlled via the backplane MEN offers a number of different **line cards**. In addition, the G101 features a high performance port with up to 2.5 Gbit/s for an SFP pluggable module to support a high-speed uplink.

Increased Reliability thanks to Built-In Test Mechanisms

The switch is fault tolerant and restores itself on its own: If a link is temporarily unavailable, frames can be sent via backup/redundant links (spanning tree protocol/link aggregation) and no data loss occurs. Its built-in test mechanisms make the G101 an even more reliable component in the communication system.

Rugged and Compliant to Railway Standards

The railway Ethernet switch is specifically designed for rugged rolling-stock communication systems. It is fully compliant with the EN 50155 railway standard and qualified for a -40 °C to +85 °C operating temperature.



Switch Key Features

- Switching matrix
 - Total switching capacity of chipset: 29 Gbit/s
 - MAC address table size: 8192
 - Switching algorithm: Store-and-forward, TCAM high-speed (Ternary Content-Addressable Memory)
- General network support
 - IPv4
 - IPv6
 - IPv6 Ready Logo approved
- General network support
 - DHCP ARP inspection
 - DHCP Option 82
 - DHCP Server/Client
 - DHCP snooping
 - DNS Client (RFC 2136)
 - DNS Proxy (RFC 5625)
- Ports and port control
 - Energy Efficient Ethernet (IEEE 802.3az)
 - ETH Signal Equalization and Power Control
 - Inband management (VRAP)
 - Port frame size (Jumbo Frames: 9216 bytes/packet max.)
 - Port state (admin), speed, duplex mode and flow control
 - Port status (link monitoring) and statistics (MIB counters)
 - Port VeriPHY (cable diagnostics), ActiPHY and PerfectReach
- User configuration interfaces
 - Command line interface (CLI) via console, SSHv2, Telnet
 - Web interface (HTTP/HTTPS) via IPv4, IPv6
- See the firmware product page for more information on the switch firmware features.
 - [14ETSW-01 Managed Ethernet Switch Firmware \(Gen 1\)](#)
 - [14ETSW-02 Managed Ethernet Switch Firmware \(Gen 2\)](#)

Interfaces

- Ethernet
 - 2x 1000BASE-T, RJ45, receptacle
 - 1x 2500BASE-SX SFP transceiver cage
 - 3x 1000BASE-T, M12, A-coded, receptacle
 - 24x 1000BASE-T, backplane
 - 24 backplane ports is the maximum configuration possible in combination with line cards.
 - **For possible combinations contact MEN.**
- Serial
 - 1x RS232, RJ45, receptacle
- Serial GPIO (SGPIO)
 - One channel, compliant with SFF 8485 specification
- LED
 - Status: board status
 - Ethernet: activity, link
- Dongle interface (only on models with M12 connectors)

Tested SFP Types

- CISCO GLC-SX-MM, 1 Gbit/s BASE-SX, 220/500 m, 0 to +70°C
- AVAGO ABR-5710 ALZ, 1 Gbit/s BASE-SX, 250/550 m, -40 to +85°C
- Finisar FTLF8519P3BTL, 1 Gbit/s BASE-SX, 300/500 m, -40 to +85°C
- Finisar FTLF1318P3BTL, 1 Gbit/s BASE-LH, 10 km, -40 to +85°C
- Finisar FTLF1518P1BTL, 1 Gbit/s BASE-ZX, 80 km, -40 to +85°C
- AVAGO ABR-57R5APZ, 4.25 Gbit/s BASE-SX, 300 m @ 2.125 Gbit/s, -10 to +85°C

Supervision and Control

- Temperature measurement
- Watchdog timer

Product Standard

- CompactPCI Serial: CompactPCI Serial PICMG CPCI-S.0 Specification
 - Based on CompactPCI Specification PICMG CPCI-S.0 with MEN switch extensions
 - System or peripheral slot

Electrical Specifications

- Supply voltage
 - +12 V (9.5 V to 15.5 V)
- Power consumption: 16 W max.
- Isolation voltage for Ethernet
 - IEE802.3 (2012), Section 1; 9.7 Electrical Isolation - Environment B

Mechanical Specifications

- Dimensions: 3U, 4 HP
- Weight: 192 g (model 02G101-00)
- Cooling
 - Air cooling, forced convection, airflow 1.5 m/s

Product Compliance: Rail - Rolling Stock

- Operating temperature: -40 °C to +85 °C (EN 50155, class TX)
- Storage temperature: -40 °C to +85 °C
- Altitude: -300 m to +2000 m
- Relative humidity (operation): max. 95% non-condensing
- Relative humidity (storage): max. 95% non-condensing
- Shock: 30 ms @ 50 m/s² (EN 61373:2010/AC:2017-09, vehicle body, cat. 1, class B)
- Vibration (Function): 1 m/s², 5 Hz to 150 Hz (EN 61373)
- Vibration (Lifetime): 7.9 m/s², 5 Hz to 150 Hz (EN 61373)
- Electrical Safety
 - EN 50155 (insulation, voltage)
- Flammability (PCBs)
 - UL 94 V-0
- EMC
 - EN 55022 (radio disturbance)
 - EN 61000-4-2 (ESD Immunity)
 - EN 61000-4-4 (burst)

Reliability

- MTBF: 692 753 h @ 40 °C according to IEC/TR 62380 (RDF2000)

Germany

MEN Mikro Elektronik GmbH

Neuwieder Straße 1-7
90411 Nuremberg
Phone +49-911-99 33 5-0

sales@men.de
www.men.de

USA

MEN Micro Inc.

860 Penllyn Blue Bell Pike
Blue Bell, PA 19422
Phone 215-542-9575

sales@menmicro.com
www.menmicro.com

France

MEN Mikro Elektronik SAS

18, rue René Cassin
ZA de la Châtelaine
74240 Gaillard
Phone +33-450-955-312

sales@men-france.fr
www.men-france.fr

China

MEN Mikro Elektronik Co., Ltd.

Room 301A, #971 Dongfang Road
200122 Shanghai
Phone +86-21-5058-0963

sales@men-china.cn
www.men-china.cn

Up-to-date information, documentation and ordering information:

www.men.de/products/g101/

MEN is not responsible for the results of any actions taken on the basis of information in the publication, nor for any error in or omission from the publication. MEN expressly disclaims all and any liability and responsibility to any person, whether a reader of the publication or not, in respect of anything, and of the consequences of anything, done or omitted to be done by any such person in reliance, whether wholly or partially, on the whole or any part of the contents of the publication.

The correct function of MEN products in mission-critical and life-critical applications is limited to the environmental specification given for each product in the technical user manual. The correct function of MEN products under extended environmental conditions is limited to the individual requirement specification and subsequent validation documents for each product for the applicable use case and has to be agreed upon in writing by MEN and the customer. Should the customer purchase or use MEN products for any unintended or unauthorized application, the customer shall indemnify and hold MEN and its officers, employees, subsidiaries, affiliates, and distributors harmless against all claims, costs, damages, and expenses, and reasonable attorney fees arising out of, directly or indirectly, any claim or personal injury or death associated with such unintended or unauthorized use, even if such claim alleges that MEN was negligent regarding the design or manufacture of the part.

In no case is MEN liable for the correct function of the technical installation where MEN products are a part of.

© 2018 MEN Mikro Elektronik GmbH