

VITAL EMBEDDED SINGLE BOARD COMPUTER, 3 INTEL ATOM E6XX

- 2x Intel Atom E6xx, up to 1 GB DDR2 RAM (each for onboard dual redundancy)
- 1x Intel Atom E6xx, up to 2 GB DDR2 for I/O
- Independent supervisors for each block
- Fail-safe board architecture
- Event logging
- SIL 4 certification packages available for hardware and software (QNX)
- TÜV Süd certified according to EN 50129 (SIL 4), EN 50128 (SIL 4) and IEC 61508 (SIL3)
- Full EN 50155 compliance
- -40 °C to +70 °C (+85 °C)
- Conformal coating

The F75P is a COTS safe computer with onboard functional safety that unites three CPUs on one 3U CompactPCI PlusIO card. It makes Intel Atom E6xx ("E600") performance with dual redundancy extremely compact, mainly targeting railway applications. Two independent Control Processors (CP) with independent DDR2 RAM and Flash and a supervision structure provide safety:

For SIL 3 / SIL 4: With redundant software running on F75P and, e.g., with the software instances on the two CPs comparing their output. This way the board becomes a fail-silent subsystem, i.e. it can shut down in case of a fatal fault.

For up to SIL 2: Using just one of the two CPs or using both CPs independently for different applications. This way on each CP a 1oo1D safety application up to SIL 2 can be realized.

Its I/O Processor (IOP) is built up like a classic CompactPCI CPU board, including DDR2 RAM, front and rear I/O. The front connectors include VGA, two USB 2.0, and two 100-Mbit Ethernet channels. At the rear, the board provides another four USB 2.0, two Fast Ethernet ports, one 3-Gbit SATA and one PCI Express x1 link. These interfaces comply with the standardized pinout of CompactPCI PlusIO (PICMG 2.30). An onboard mSATA slot makes for scalable, robust mass storage. The intelligent board management controller of the IOP logs events such as reset, overvoltage or undervoltage in a non-volatile FRAM.

The Control (CP) and I/O Processors (IOP) communicate via internal links provided by an FPGA. The CPs are designed to run a deterministic real-time operating system such as the QNX Neutrino



RTOS Safe Kernel. It is also possible to implement diversitary software on both kernels. All three CPUs support Linux and QNX.

The F75P can replace multiprocessing systems with CPU redundancy and I/O by a small-footprint, low-power solution that is flexible for different types of application scenarios. It uses a single +5 V supply voltage to allow operation with external power supplies that do not generate +3.3 V.

F75P-based systems are generally certifiable up to SIL 4. Since the card has no voter of its own, the software implements and controls functional safety behavior. The customer can either add the software himself or purchase it from duagon. The safety features such as the CP supervisors are designed to SIL 4 according to [EN50129]. A railway certification package including the "safety case" document and a certificate from TÜV SÜD is available.

Its rugged set-up also make the F75P rail-ready: with assets like conformal coating and an operating temperature of -40 °C to +70 °C (10 min @ +85 °C) with qualified components, it is fully EN 50155 compliant. A 4-HP version is available with RJ45 Ethernet connectors and a reduced temperature range for system design, while a 6 HP version with RJ45 Ethernet connectors and another standard card with 8 HP width with M12 front connectors have a larger heat sink.

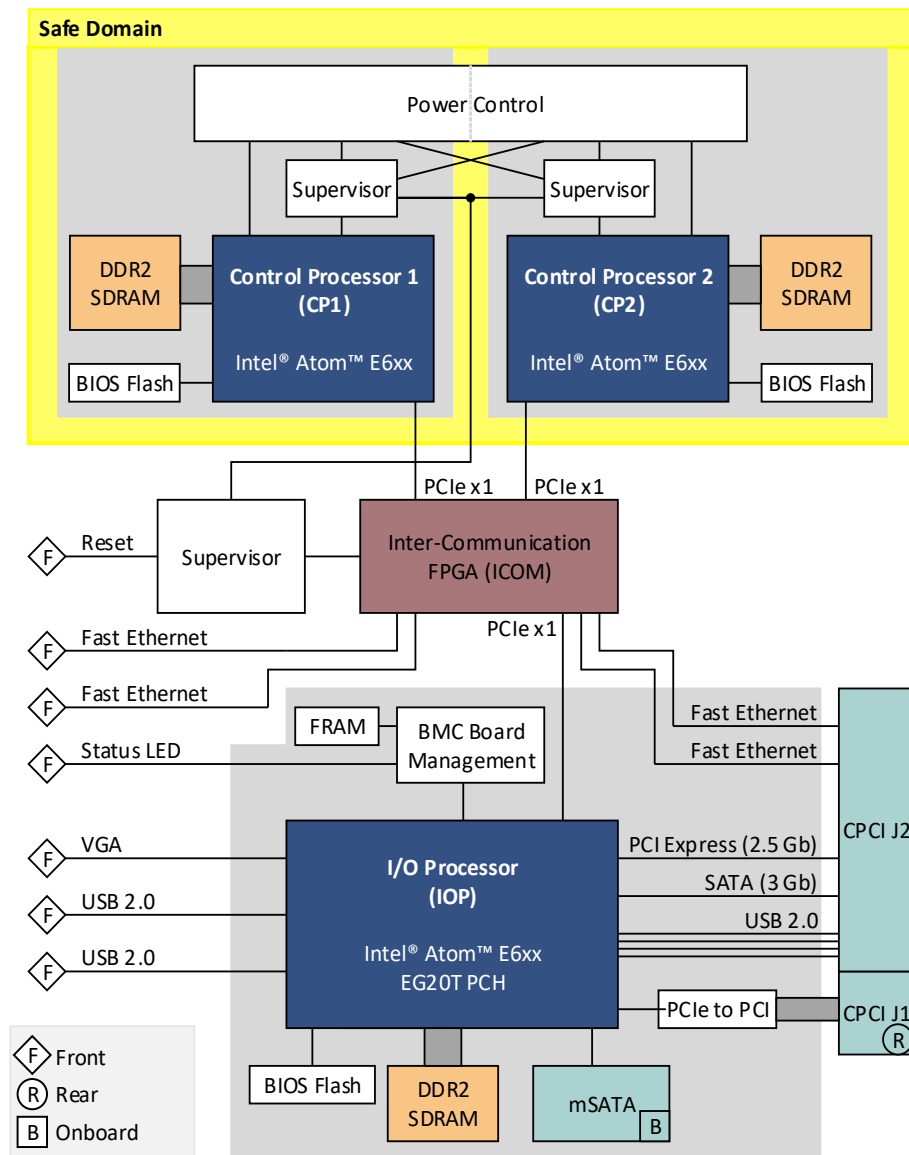


www.duagon.com/products/f75p/

DATA SHEET



F75P | DIAGRAM





F75P | TECHNICAL DATA

FUNCTIONAL SAFETY

- With redundant CP usage: Certified to SIL 4 according to EN 50129 ("safety case" document and certificate from TÜV SÜD available)
 - Tolerable functional failure rate per hour (TFFR) for safety functions: $\leq 1E-9$ / h
- Without redundant CP usage: Certified to SIL 2 according to EN 50129 ("safety case" document and certificate from TÜV SÜD available)
 - Tolerable functional failure rate per hour (TFFR) for safety functions: $\leq 1E-7$ / h
- Control Processors configured for deterministic behavior, e.g., Hyper-Threading disabled, speed-step disabled, BIOS interrupts disabled
- Board maintains safe state after a failure (factory configuration)
- Option: Board can be configured to restart automatically after entering safe state (by factory configuration)

CPU ARCHITECTURE

- Three onboard processors
 - Two Control Processors (CP)
 - One I/O Processor (IOP)
 - Inter-communication between all three processors via onboard Ethernet or Shared RAM
- Three identical processor types
- The following CPU types are supported:
 - Intel Atom E680T, 1.6 GHz, 400 MHz graphics frequency, 4.5 W TDP
- Main function of CPs
 - Provide a "Safe Domain" on the board, including processors, memory, supervisors and power control
 - Provide flexible implementation options for functional safety requirements
 - Provide support for advanced, certified operating systems up to SIL 4
- Main function of IOP
 - Provide common I/O and memory facilities
 - Provide a user-friendly software interface and GUI

MEMORY (CONNECTED TO CPS)

- 512 KB L2 cache integrated in E6xx for each processor
- System RAM
 - Soldered DDR2
 - 512 MB
 - 1 GB (model 02F075P04)
- Boot Flash
 - 2 MB

CHIPSET (CONNECTED TO IOP)

- Intel EG20T Platform Controller Hub (PCH)

MEMORY (CONNECTED TO IOP)

- 512 KB L2 cache integrated in E6xx
- System RAM
 - Soldered DDR2
 - 1 GB
 - 2 GB (model 02F075P04)
- BIOS Flash
 - 2 MB

- 8 KB non-volatile FRAM for event logging

MASS STORAGE (CONNECTED TO IOP)

- The following mass storage devices can be assembled:
 - mSATA disk (for IOP boot image and file system)

GRAPHICS (CONNECTED TO IOP)

- Processor graphics
 - 320 or 400 MHz graphics base frequency, depending on processor type
 - Maximum resolution: 1280 × 1024 pixels

FRONT INTERFACES (CONTROLLED BY IOP)

- Video
 - 1x VGA
- USB
 - 2x USB 2.0, Type A, host



- Ethernet
 - 2x 10/100BASE-T, RJ45 (model 02F075P00 / 02F075P02 / 02F075P04)
 - 2x 10/100BASE-T, M12, D-coded, receptacle (model 02F075P01)
 - 1x 10/100BASE-T, M12, D-coded, receptacle (model 02F075P03)
 - 1x 10/100BASE-T, M12, A-coded, receptacle (model 02F075P03)

■ LED

- Status: power status, board status (BMC)
- Ethernet: activity, link

■ Reset button

ONBOARD INTERFACES

- Ethernet
 - Four channels, 100BASE-T, via Inter-Communication FPGA

REAR INTERFACES (CONTROLLED BY IOP)

- SATA
 - One channel, SATA Revision 2.x
- USB
 - Four channels, USB 2.0
- Ethernet
 - Two channels, 100BASE-T
- PCI Express
 - One x1 link, PCIe 1.0a
- Compatible with PICMG 2.30 CompactPCI PlusIO
 - 1PCI33/1PCIE2.5/1SATA3/4USB2/2ETH100
 - Some pins are used for signals differing from the PICMG 2.30 specification. However, these signals do not destroy or cause any malfunction of a connected I/O board based on this standard.

SUPERVISION AND CONTROL

- Three independent supervisors for Control Processors and Inter-Communication FPGA
 - Check for overvoltage, undervoltage, excess temperature, internal errors of FPGA and CPUs, CPU and FPGA clock
 - Watchdog, configurable as a window or timeout watchdog
- Board Management Controller for I/O Processor

- Event logging
 - Event history logged in non-volatile FRAM, e.g., reset, overvoltage, undervoltage, excess temperature
 - 256 entries possible
 - Events are generated by board hardware or user application
- Real-time clock with supercapacitor backup connected to I/O Processor
 - Data retention of supercapacitor: 56 hours when fully loaded, after 3 years runtime @ 40°C, 24h operation

PRODUCT STANDARD

- CompactPCI: CompactPCI Core Specification PICMG 2.0 R3.0
 - System slot
 - 32-bit/33-MHz CompactPCI bus
 - V(I/O): +3.3 V (+5 V tolerant)
- Hot insertion and removal without damage

BUSLESS OPERATION

- Board can be supplied with +5 V only, all other voltages are generated on the board
- Backplane connectors used only for power supply

ELECTRICAL SPECIFICATIONS

- Supply voltage
 - +5 V (-3%/+5%)
- Power consumption
 - 4.75 A typ.
 - 5.25 A max.

MECHANICAL SPECIFICATIONS

- Dimensions
 - 3U, 4 HP, or
 - 3U, 6 HP, or
 - 3U, 8 HP
- Weight
 - 402 g (model 02F075P00, 4 HP, RJ45 connectors)
 - 508 g (model 02F075P02/02F075P04, 6 HP, RJ45 connectors)
 - 626 g (model 02F075P01/02F075P03, 8 HP, M12 connectors)



ENVIRONMENTAL SPECIFICATIONS

- Temperature range (operation):
 - -40 °C to +70 °C, +85 °C for 10 min (EN 50155:2017, class OT4, ST1 (model 02F075P01/02F075P02/02F075P03))
 - -40 °C to +55 °C, +70 °C for 10 min (EN 50155:2017, class OT2, ST1) (model 02F075P00/02F075P04)
 - Conditions: airflow 1.5 m/s, typical power dissipation: 22.5 W
- Cooling concept
 - Air-cooled (with tailored heat sink), or
 - Conduction-cooled in MEN CCA frame
- Temperature range (storage): -40°C to +85°C
- Relative humidity (operation): max. 95% non-condensing
- Relative humidity (storage): max. 95% non-condensing
- Altitude: -300 m to +3000 m
- Vibration (function): 1 m/s², 5 Hz - 150 Hz (EN 50155 (12.2.11) / EN 61373)
- Vibration (lifetime): 7.9 m/s², 5 Hz - 150 Hz (EN 50155 (12.2.11) / EN 61373)
- Shock: 50 m/s², 30 ms (EN 50155 (12.2.11) / EN 61373)
- Pollution degree: PD 2
- Fire protection: EN 45545-2, hazard level HL3
- Useful life: 20 years

RELIABILITY

- MTBF: 278 049 h @ 40°C according to IEC/TR 62380 (RDF 2000)

EMC

- When integrated into an EMC protected rack
- EN 50121-3-2 / EN 55016-2-1 (conducted emission)
- EN 50121-3-2 / EN 61000-4-2 (ESD immunity)
- EN 50121-4 / EN 61000-4-2
- EN 50121-3-2 / EN 61000-4-3 (electromagnetic field immunity)
- EN 50121-4 / EN 61000-4-3
- EN 50121-3-2 / EN 61000-4-4 (burst immunity)
- EN 50121-4 / EN 61000-4-4
- EN 50121-3-2 / EN 61000-4-6 (immunity to conducted disturbances)
- EN 50121-4 / EN 61000-4-6

BIOS/BOOT LOADER

- InsydeH2O UEFI Framework

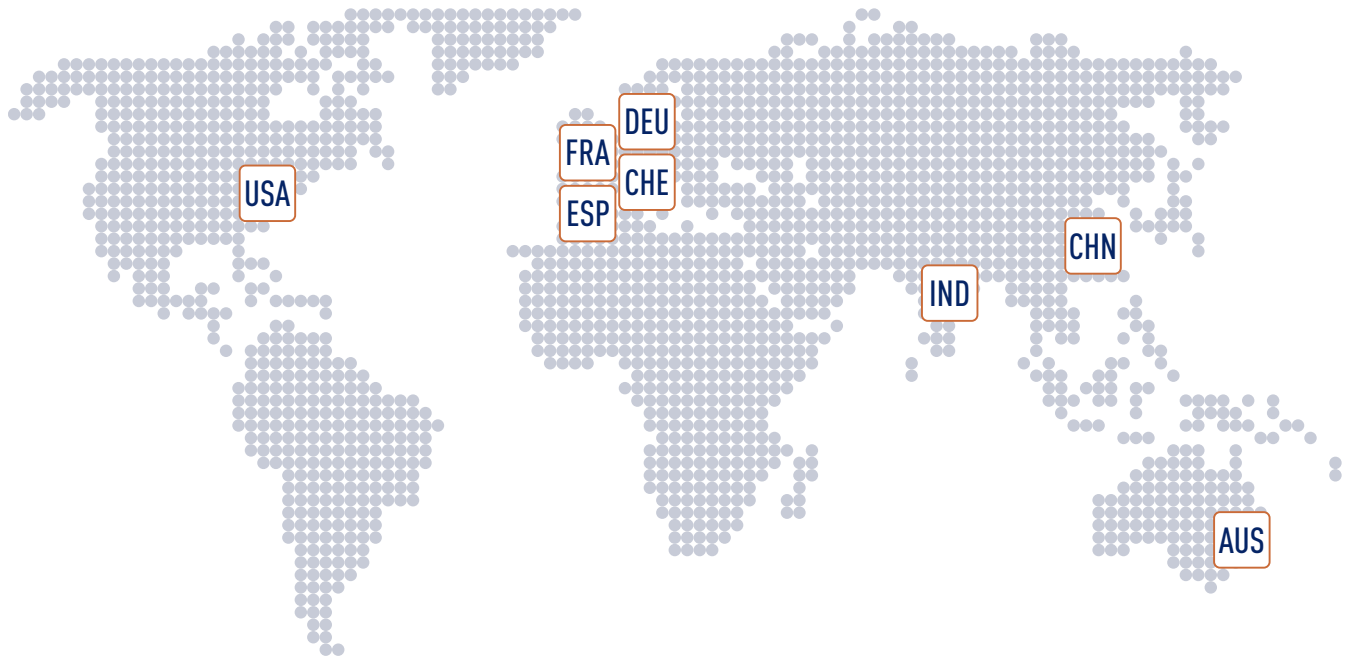
SOFTWARE SUPPORT

- I/O Processor
 - Linux
 - QNX
 - VxWorks (on request)
- Control Processors
 - QNX (with or without Safe Kernel)
 - PikeOS (on request)
 - Linux (on request)
 - VxWorks (on request)
 - VxWorks/Cert (on request)

F75P | ORDERING INFORMATION

STANDARD MODELS

02F075P00	3x Intel Atom E680T (1.6 GHz), 2x 512 MB, 1x 1 GB DDR2 DRAM, RJ45 ETH connectors, 4 HP, -40..+50°C with qualified components, conformal coating
02F075P01	3x Intel Atom E680T (1.6 GHz), 2x 512 MB, 1x 1 GB DDR2 DRAM, 8 HP, Ethernet on the right by 2x M12, -40..+85°C with qualified components, conformal coating
02F075P02	3x Intel Atom E680T (1.6 GHz), 2x 512 MB, 1x 1 GB DDR2 DRAM, 6 HP, front: 1 VGA, 2 USB, 2 Fast Ethernet (RJ45), -40..+85°C qualified, air-cooled, conformal coating



duagon | WORLDWIDE

duagon has a global presence with support and sales representatives across 8 countries. With three decentralized engineering and production sites, our customers take advantage of the added competence and flexibility.

www.duagon.com

SWITZERLAND (HQ)

Dietikon
Phone +41 44 743 73 00
sales@duagon.com

AUSTRALIA

Artarmon
Phone +61 2 9966 9424
sales-aus@duagon.com

CHINA

Shanghai
Phone +86 159 0077 2985
sales-chn@duagon.com

FRANCE

Gaillard
Phone +33 450 955 312
sales-fra@duagon.com

GERMANY

Nuremberg
Phone +49 911 99 335 0
sales-deu@duagon.com

INDIA

New Delhi
Phone +91 11 41 61 12 48
sales-ind@duagon.com

SPAIN

Madrid
Phone +34 917 880 610
sales-esp@duagon.com

USA

Blue Bell
Phone +1 215 542 9575
sales-usa@duagon.com