

Not recommended for new designs

## General Features

The D507 is an easy to configure Ethernet-to-Ethernet gateway with two Ethernet interfaces ETH0 and ETH1 on M12 connectors. This enables the gateway to translate between two Ethernet-based protocols, e.g. UDP Sockets to EtherNet/IP – CIP. The Ethernet connectors comply with IEC 61076-2-101 (D-coded; female).

The Ethernet interfaces comply with IEEE 802.3 supporting 10BASE-T or 100BASE-TX, full duplex mode, auto-negotiation and auto MDI-X. Furthermore, the internal logic supports the "Ethernet on traction vehicles" standard IEC 61375-3-4.

duagon's gateways are available in two variants – as platform to build a customer-specific application or as gateway with a standard configurable gateway application. The platform variant is accompanied by a development library that enables fast and efficient design of customer-specific applications.

The gateway is integrated in a stainless-steel housing that can be mounted on a DIN rail or using M4 screws. The device can

be powered directly from the vehicle battery or by Power over Ethernet (PoE).

The D507 is designed for the harsh traction environment and conforms to the EN 50155, EN 50121, and IEC 61373 standards in general, but particularly by:

- -40 °C to +70 °C ambient temperature range
- Interruption voltage supply class S2
- Coating against humidity
- Enhanced EMI and vibration robustness

The D500 Ethernet gateway series covers the following train communication networks:

- D501 Ethernet – RS232 Gateway
- D502 Ethernet – RS485/RS422 Gateway
- D503 Ethernet – MVB Gateway
- D504 Ethernet – CAN Gateway
- D507 Ethernet – Ethernet Gateway (this document)

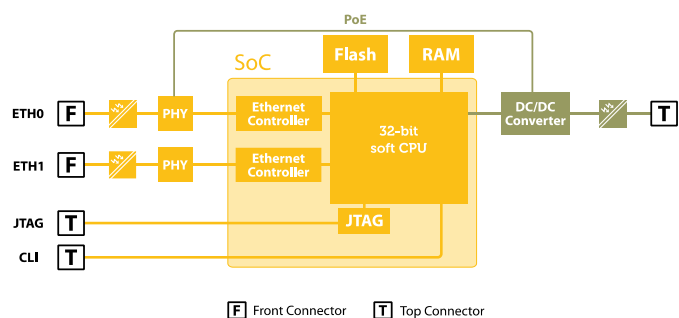
## Key Benefits

- Proprietary high-performance Ethernet communication stack; optimised for cyclic process data.
- Support for most common real-time Ethernet protocols including TRDP, IPTCom and EtherNet/IP – CIP.
- duagon web server for remote diagnostics and firmware updates; possibility to implement customer-specific web pages.
- Standard C development library to design customer-specific gateway application.

## Application Examples

- Retrofitting of existing train communication networks based on different real-time Ethernet protocols.
- Accessing train communication networks for diagnostic and maintenance purposes from train operator or IT networks

## D507 Hardware Architecture



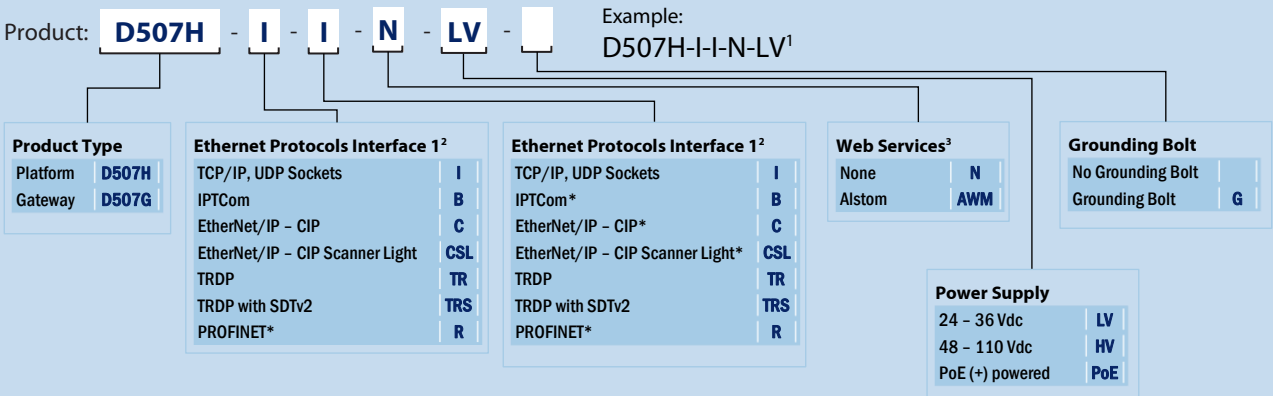
# Technical Data

<b>Ethernet Interface</b>	<ul style="list-style-type: none"> <li>– 100BASE-TX or 10BASE-T physical layer according to IEEE 802.3</li> <li>– M12 connectors (female, D-Coded) according to IEC 61076-2-101</li> <li>– Support for full duplex mode, auto-negotiation, auto MDI-X</li> <li>– 1.5 kVAC galvanic isolation</li> </ul>
<b>Ethernet Protocols</b>	<ul style="list-style-type: none"> <li>– TCP/IP, UDP Sockets</li> <li>– IPTCom</li> <li>– EtherNet/IP, CIP</li> <li>– TRDP</li> <li>– PROFINET*</li> </ul>
<b>CPU base System</b>	<ul style="list-style-type: none"> <li>– 32-bit soft-CPU</li> <li>– Programmable in standard C with accompanying development library</li> <li>– Flash file system</li> </ul>
<b>Diagnostic / Service</b>	<ul style="list-style-type: none"> <li>– Device status information available through serial interface, telnet or web server</li> <li>– Firmware update via Ethernet</li> <li>– JTAG and serial line externally accessible</li> </ul>

<b>Supply Voltage</b>	<ul style="list-style-type: none"> <li>– Single power supply 24 – 110 Vdc</li> <li>– Power over Ethernet (PoE)</li> </ul>
<b>Power Consumption</b>	<ul style="list-style-type: none"> <li>– Powered directly from battery <math>P_{max} &lt; 3 W</math></li> <li>– Interruption voltage supply Class S2</li> </ul>
<b>Operating Conditions</b>	<ul style="list-style-type: none"> <li>– Ambient temperature: –40 to +70 °C (EN 50155, Class TX)</li> <li>– Relative humidity: 75%, max. 95% for 30 days per year (conformal coating) according to EN 60068</li> <li>– Shock and vibration: According to IEC 61373 category 1, Class B</li> <li>– EMI: According to EN 50121 and EN 50155</li> </ul>
<b>Physical Characteristics</b>	<ul style="list-style-type: none"> <li>– Housing: Stainless steel, ingress protection IP30</li> <li>– Dimensions: 120 × 106 × 32 mm</li> <li>– Weight: 415 g (may vary depending on the selected configuration)</li> </ul>
<b>Environment</b>	<ul style="list-style-type: none"> <li>– Fully compliant with RoHS and REACH</li> <li>– 100% 48h cyclic climatic testing</li> </ul>

d-041658-067789

## Product Ordering Table



<sup>1</sup> default order options  
<sup>2</sup> Ethernet "Sockets" is included on all interfaces  
<sup>3</sup> duagon's web server is always included  
 \* contact duagon for lead times and availability

## Related Documents

- Data Sheet D507**  D507\_DS.pdf
- Product Ordering Guide**  order\_ug.pdf

available at [www.duagon.com](http://www.duagon.com)

duagon AG  
 Riedstrasse 12  
 CH-8953 Dietikon  
 Phone +41 44 743 73 00  
 Fax +41 44 743 73 15

[www.duagon.com](http://www.duagon.com)

